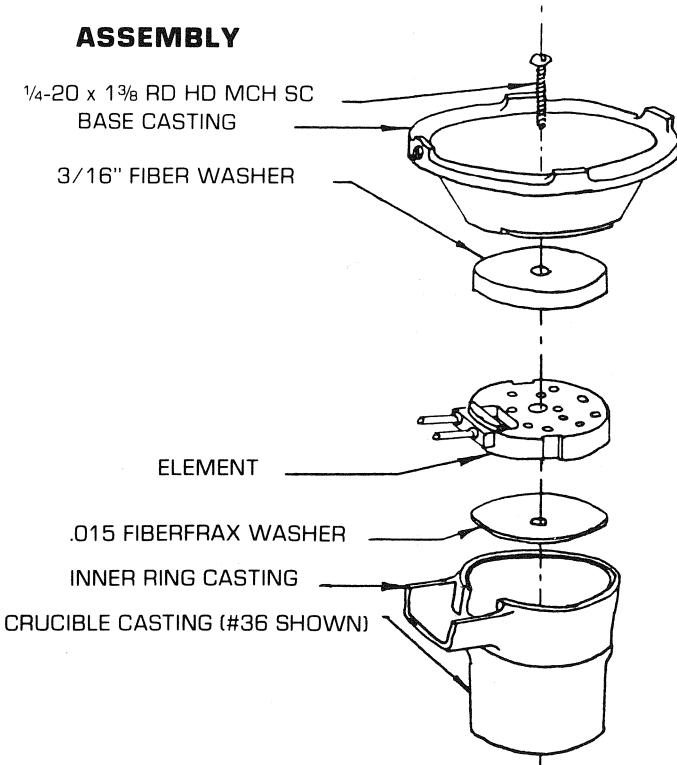


INSTRUCTIONS FOR SOLDER POT ASSEMBLY

NOTE: Assemble Pots Inverted As Shown
Solder Pots 12, 12C, 12T, 36, 36C, 36T
37, 37C, 37T, 70, 70T, 75, 75T

ASSEMBLY



SUPPLEMENTARY DETAIL FOR THERMOSTAT (SUFFIX "T") POTS

CONNECTORS — TO ELEMENT PINS

